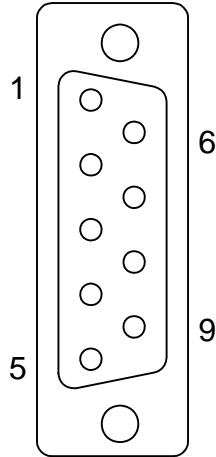


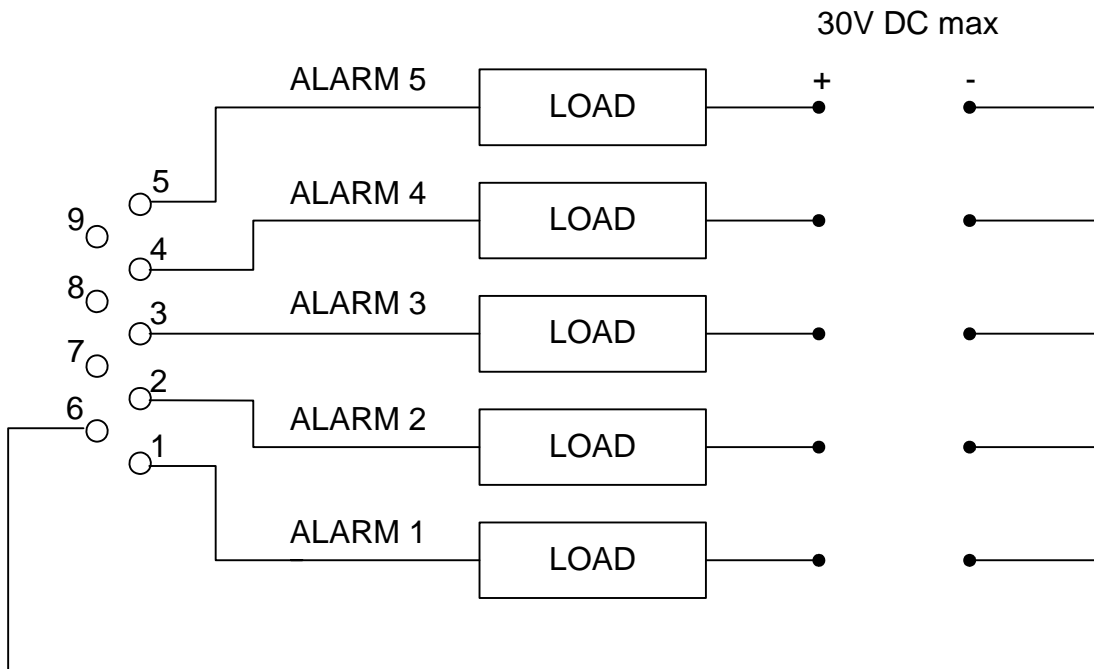
APEnext Dual Crate Cabinet, March 2004

Smoke alarm connections

Smoke Alarm socket  
as fitted to rear panel



View on mating face



Schematic of external alarm connections

SMOKE DETECTOR POSITIONS

